

Sending in Devices for Repair

How Olympus Can Support You during the Coronavirus Pandemic

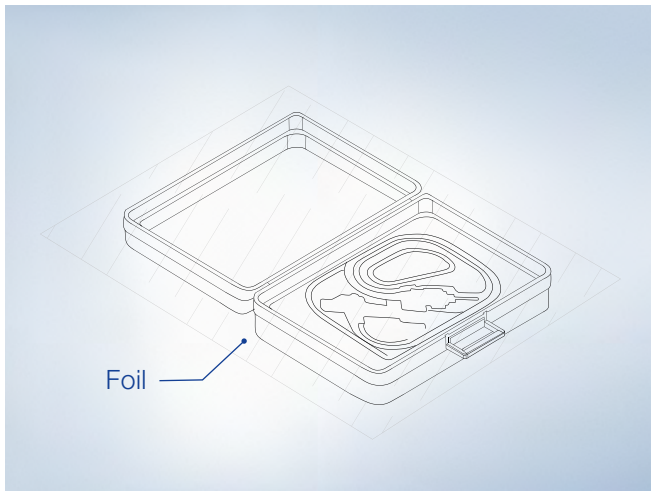
Endoscope Protection Foil

This document guides you through the use of the endoscope protection foil if sending a damaged endoscope for repair.

Step 1

Clean and disinfect the endoscope according to the general instructions for use.

Step 2

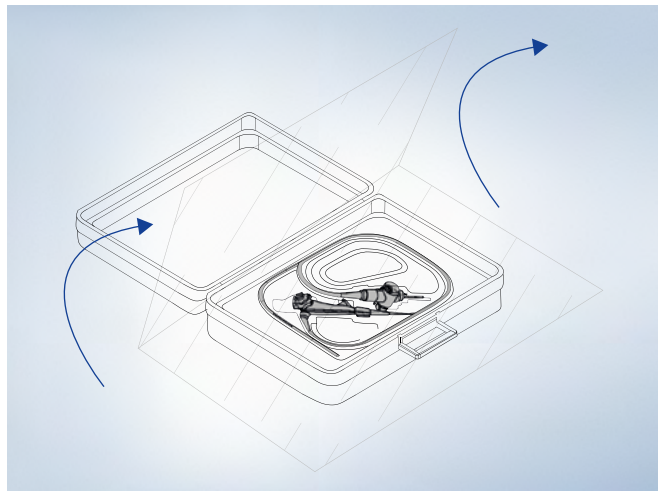


Unfold and spread the foil onto the open case as shown above.

Step 3

Place the endoscope onto the protective foil and push the device into the mold of the Styrofoam inlay.

Step 4



Fold the protective foil over the endoscope as shown.

For further information, please contact your Olympus customer service.



Olympus COVID-19 Support Page

Further Information and Local Support Contacts



www.olympus.eu/covid19

Olympus reserves the right of errors, modification and changes of the service and/or product offerings.